

Guide rollers

Item description/product images



Description

Material:

Tread Extrathane, Shore hardness 92A, light brown.

Tread polyamide 6 Shore hardness 70D, white.

Tread thermoplastic polyurethane (TPU) Shore hardness 92, dark grey and wheel body polyamide, silver grey.

Tread thermoplastic polyurethane (TPU) shore hardness 98, brown.

Note:

The tread is firmly bonded onto a ball bearing.

Extrathane tread: quiet running, low rolling resistance, elastic, gentle on floors, very abrasion-resistant, high cut and tear resistance, non-marking, no contact discolouration.

Tread polyamide 6: break-resistant, very low rolling resistance, easy running on smooth floors, very abrasion-resistant.

Tread thermoplastic polyurethane (TPU) silver-grey: low rolling resistance, very abrasion-resistant, hydrolysis-resistant, non-marking, no contact discolouration.

Tread thermoplastic polyurethane (TPU), brown: very low rolling resistance, very abrasion-resistant, non-marking, no contact discolouration.

Applications: Conveyor belts, doors, etc.

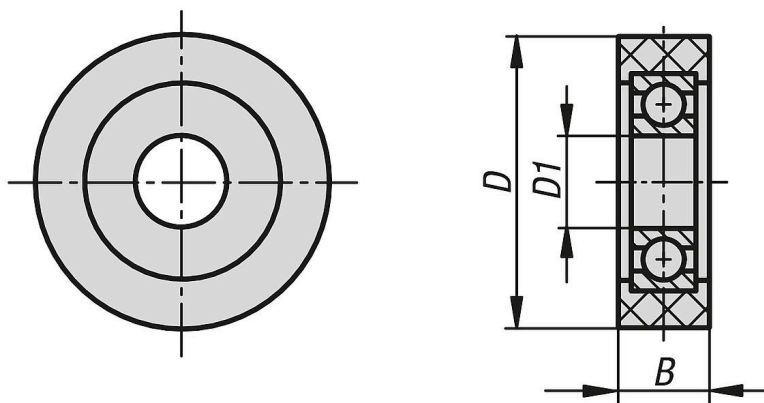
Other sizes on request.

Temperature range:

-20 °C to +70 °C.

Briefly up to +90 °C.

Drawings



Overview of items

Guide rollers

Guide rollers

Overview of items

Order No.	Version 1	Material tread	Wheel bearing	D	D1	B	Ball bearing	Permissible load kg
B0495.03008	without housing	extrathane	Ball bearing	30	6	8	626 2RS	20
B0495.03514	without housing	extrathane	Ball bearing	35	12	14	60002RS	40
B0495.04020	without housing	extrathane	Ball bearing	40	10	20	60002RS	40
B0495.05015	without housing	extrathane	Ball bearing	50	10	15	6200 2RS	60
B0495.06020	without housing	extrathane	Ball bearing	60	17	20	6203 2RS	90
B0495.07020	without housing	extrathane	Ball bearing	70	25	20	6205 2RS	125
B0495.030083015	without housing	Thermoplastic polyurethane	Ball bearing	30	6	8	626 2RS	15
B0495.035112025	without housing	Thermoplastic polyurethane	Ball bearing	35	8	11	6082RS	25
B0495.040202055	without housing	Thermoplastic polyurethane	Ball bearing	40	10	20	6200 2RS	55
B0495.050152045	without housing	Thermoplastic polyurethane	Ball bearing	50	10	15	6200 2RS	45
B0495.060202080	without housing	Thermoplastic polyurethane	Ball bearing	60	17	20	6203 2RS	80
B0495.060202110	without housing	Thermoplastic polyurethane	Ball bearing	60	17	20	6203 2RS	110
B0495.070203130	without housing	Thermoplastic polyurethane	Ball bearing	70	25	20	6205 2RS	130
B0495.080203150	without housing	Thermoplastic polyurethane	Ball bearing	80	17	20	6303 2RS	150
B0495.100253230	without housing	Thermoplastic polyurethane	Ball bearing	100	25	25	6205 2RS	230
B0495.030081	without housing	polyamide 6	Ball bearing	30	6	8	626 2RS	35
B0495.035111	without housing	polyamide 6	Ball bearing	35	8	11	6082RS	55
B0495.040201	without housing	polyamide 6	Ball bearing	40	10	20	6200 2RS	100
B0495.050151	without housing	polyamide 6	Ball bearing	50	10	15	6200 2RS	100
B0495.060201	without housing	polyamide 6	Ball bearing	60	17	20	6203 2RS	165
B0495.070201	without housing	polyamide 6	Ball bearing	70	25	20	6205 2RS	185