

## Indexing plungers steel or stainless steel with plastic eyelet grip

### Item description/product images



### Description

#### Product description:

Indexing plungers are used to prevent changes to the locking position due to lateral forces. Another locking position can be set only after the plunger has been manually released.

#### Material:

Steel version:

Threaded sleeve 1.0715.

Indexing pin hardened:

Stainless steel version:

Threaded sleeve 1.4305.

Indexing pin 1.4305.

Eyelet grip thermoplastic, black grey RAL 7021 or traffic red RAL 3020.

#### Version:

Steel version:

Indexing pin hardened.

Threaded sleeve trivalent blue passivated.

Indexing pin bright.

Stainless steel version:

Indexing pin not hardened.

Steel parts bright.

#### Note:

Form C and D are recommended for applications where the indexing pin should remain disengaged for an extended period and be prevented from springing back.

Pay attention to the max. tightening torque when assembling.

#### On request:

Other travels possible on request.

#### Drawing reference:

Form A: non-lockout type, without locknut

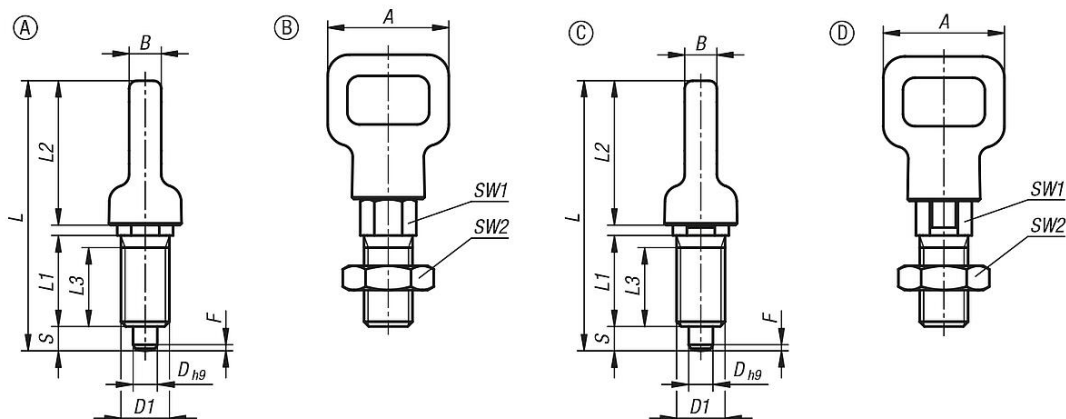
Form B: non-lockout type, with locknut

Form C: lockout type, without locknut

Form D: lockout type, with locknut

# Indexing plungers steel or stainless steel with plastic eyelet grip

## Drawings



## Overview of items

### Indexing plungers steel or stainless steel with plastic eyelet grip

Order No.	Form	Main material	Component colour	D	D1	A	B	L	L1	L2	L3	Travel S	SW1	SW2	Fx30°	Spring force initial pressure F1 approx. N	Spring force final pressure F2 approx. N	Tightening torque max. Nm
B0525.0104080	A	steel	black grey RAL 7021	4	M8	20	5,3	44,5	15	23,8	13	4	8	8	1	6	12	2
B0525.0115100	A	steel	black grey RAL 7021	5	M10	25	6,7	52,2	17	28,5	15	5	10	10	1,3	6	12	7
B0525.0126120	A	steel	black grey RAL 7021	6	M12	30	8	61,7	20	34	17	6	12	12	1,8	8	15	15
B0525.0138160	A	steel	black grey RAL 7021	8	M16	40	10,7	81	26	45,3	23	8	16	16	2,3	8	19	20
B0525.0104081	A	steel	black grey RAL 7021	4	M8x1	20	5,3	44,5	15	23,8	13	4	8	8	1	6	12	2
B0525.0115101	A	steel	black grey RAL 7021	5	M10x1	25	6,7	52,2	17	28,5	15	5	10	10	1,3	6	12	7
B0525.0126121	A	steel	black grey RAL 7021	6	M12x1,5	30	8	61,7	20	34	17	6	12	12	1,8	8	15	15
B0525.0138161	A	steel	black grey RAL 7021	8	M16x1,5	40	10,7	81	26	45,3	23	8	16	16	2,3	8	19	20
B0525.010408084	A	steel	traffic red RAL 3020	4	M8	20	5,3	44,5	15	23,8	13	4	8	8	1	6	12	2
B0525.011510084	A	steel	traffic red RAL 3020	5	M10	25	6,7	52,2	17	28,5	15	5	10	10	1,3	6	12	7
B0525.012612084	A	steel	traffic red RAL 3020	6	M12	30	8	61,7	20	34	17	6	12	12	1,8	8	15	15
B0525.013816084	A	steel	traffic red RAL 3020	8	M16	40	10,7	81	26	45,3	23	8	16	16	2,3	8	19	20
B0525.010408184	A	steel	traffic red RAL 3020	4	M8x1	20	5,3	44,5	15	23,8	13	4	8	8	1	6	12	2
B0525.011510184	A	steel	traffic red RAL 3020	5	M10x1	25	6,7	52,2	17	28,5	15	5	10	10	1,3	6	12	7
B0525.012612184	A	steel	traffic red RAL 3020	6	M12x1,5	30	8	61,7	20	34	17	6	12	12	1,8	8	15	15
B0525.013816184	A	steel	traffic red RAL 3020	8	M16x1,5	40	10,7	81	26	45,3	23	8	16	16	2,3	8	19	20
B0525.1104080	A	stainless steel	black grey RAL 7021	4	M8	20	5,3	44,5	15	23,8	13	4	8	8	1	6	12	2
B0525.1115100	A	stainless steel	black grey RAL 7021	5	M10	25	6,7	52,2	17	28,5	15	5	10	10	1,3	6	12	7
B0525.1126120	A	stainless steel	black grey RAL 7021	6	M12	30	8	61,7	20	34	17	6	12	12	1,8	8	15	15
B0525.1138160	A	stainless steel	black grey RAL 7021	8	M16	40	10,7	81	26	45,3	23	8	16	16	2,3	8	19	20
B0525.1104081	A	stainless steel	black grey RAL 7021	4	M8x1	20	5,3	44,5	15	23,8	13	4	8	8	1	6	12	2
B0525.1115101	A	stainless steel	black grey RAL 7021	5	M10x1	25	6,7	52,2	17	28,5	15	5	10	10	1,3	6	12	7
B0525.1126121	A	stainless steel	black grey RAL 7021	6	M12x1,5	30	8	61,7	20	34	17	6	12	12	1,8	8	15	15
B0525.1138161	A	stainless steel	black grey RAL 7021	8	M16x1,5	40	10,7	81	26	45,3	23	8	16	16	2,3	8	19	20
B0525.110408084	A	stainless steel	traffic red RAL 3020	4	M8	20	5,3	44,5	15	23,8	13	4	8	8	1	6	12	2
B0525.111510084	A	stainless steel	traffic red RAL 3020	5	M10	25	6,7	52,2	17	28,5	15	5	10	10	1,3	6	12	7
B0525.112612084	A	stainless steel	traffic red RAL 3020	6	M12	30	8	61,7	20	34	17	6	12	12	1,8	8	15	15
B0525.113816084	A	stainless steel	traffic red RAL 3020	8	M16	40	10,7	81	26	45,3	23	8	16	16	2,3	8	19	20
B0525.110408184	A	stainless steel	traffic red RAL 3020	4	M8x1	20	5,3	44,5	15	23,8	13	4	8	8	1	6	12	2
B0525.111510184	A	stainless steel	traffic red RAL 3020	5	M10x1	25	6,7	52,2	17	28,5	15	5	10	10	1,3	6	12	7
B0525.112612184	A	stainless steel	traffic red RAL 3020	6	M12x1,5	30	8	61,7	20	34	17	6	12	12	1,8	8	15	15
B0525.113816184	A	stainless steel	traffic red RAL 3020	8	M16x1,5	40	10,7	81	26	45,3	23	8	16	16	2,3	8	19	20
B0525.0204080	B	steel	black grey RAL 7021	4	M8	20	5,3	44,5	15	23,8	13	4	8	13	1	6	12	2
B0525.0215100	B	steel	black grey RAL 7021	5	M10	25	6,7	52,2	17	28,5	15	5	10	17	1,3	6	12	7
B0525.0226120	B	steel	black grey RAL 7021	6	M12	30	8	61,7	20	34	17	6	12	19	1,8	8	15	15
B0525.0238160	B	steel	black grey RAL 7021	8	M16	40	10,7	81	26	45,3	23	8	16	24	2,3	8	19	20
B0525.0204081	B	steel	black grey RAL 7021	4	M8x1	20	5,3	44,5	15	23,8	13	4	8	13	1	6	12	2
B0525.0215101	B	steel	black grey RAL 7021	5	M10x1	25	6,7	52,2	17	28,5	15	5	10	17	1,3	6	12	7
B0525.0226121	B	steel	black grey RAL 7021	6	M12x1,5	30	8	61,7	20	34	17	6	12	19	1,8	8	15	15

# Indexing plungers steel or stainless steel with plastic eyelet grip

## Overview of items

Order No.	Form	Main material	Component colour	D	D1	A	B	L	L1	L2	L3	Travel S	SW1	SW2	Fx30°	Spring force initial pressure F1 approx. N	Spring force final pressure F2 approx. N	Tightening torque max. Nm
B0525.0238161	B	steel	black grey RAL 7021	8	M16x1,5	40	10,7	81	26	45,3	23	8	16	24	2,3	8	19	20
B0525.020408084	B	steel	traffic red RAL 3020	4	M8	20	5,3	44,5	15	23,8	13	4	8	13	1	6	12	2
B0525.021510084	B	steel	traffic red RAL 3020	5	M10	25	6,7	52,2	17	28,5	15	5	10	17	1,3	6	12	7
B0525.022612084	B	steel	traffic red RAL 3020	6	M12	30	8	61,7	20	34	17	6	12	19	1,8	8	15	15
B0525.023816084	B	steel	traffic red RAL 3020	8	M16	40	10,7	81	26	45,3	23	8	16	24	2,3	8	19	20
B0525.020408184	B	steel	traffic red RAL 3020	4	M8x1	20	5,3	44,5	15	23,8	13	4	8	13	1	6	12	2
B0525.021510184	B	steel	traffic red RAL 3020	5	M10x1	25	6,7	52,2	17	28,5	15	5	10	17	1,3	6	12	7
B0525.022612184	B	steel	traffic red RAL 3020	6	M12x1,5	30	8	61,7	20	34	17	6	12	19	1,8	8	15	15
B0525.023816184	B	steel	traffic red RAL 3020	8	M16x1,5	40	10,7	81	26	45,3	23	8	16	24	2,3	8	19	20
B0525.1204080	B	stainless steel	black grey RAL 7021	4	M8	20	5,3	44,5	15	23,8	13	4	8	13	1	6	12	2
B0525.1215100	B	stainless steel	black grey RAL 7021	5	M10	25	6,7	52,2	17	28,5	15	5	10	17	1,3	6	12	7
B0525.1226120	B	stainless steel	black grey RAL 7021	6	M12	30	8	61,7	20	34	17	6	12	19	1,8	8	15	15
B0525.1238160	B	stainless steel	black grey RAL 7021	8	M16	40	10,7	81	26	45,3	23	8	16	24	2,3	8	19	20
B0525.1204081	B	stainless steel	black grey RAL 7021	4	M8x1	20	5,3	44,5	15	23,8	13	4	8	13	1	6	12	2
B0525.1215101	B	stainless steel	black grey RAL 7021	5	M10x1	25	6,7	52,2	17	28,5	15	5	10	17	1,3	6	12	7
B0525.1226121	B	stainless steel	black grey RAL 7021	6	M12x1,5	30	8	61,7	20	34	17	6	12	19	1,8	8	15	15
B0525.1238161	B	stainless steel	black grey RAL 7021	8	M16x1,5	40	10,7	81	26	45,3	23	8	16	24	2,3	8	19	20
B0525.120408084	B	stainless steel	traffic red RAL 3020	4	M8	20	5,3	44,5	15	23,8	13	4	8	13	1	6	12	2
B0525.121510084	B	stainless steel	traffic red RAL 3020	5	M10	25	6,7	52,2	17	28,5	15	5	10	17	1,3	6	12	7
B0525.122612084	B	stainless steel	traffic red RAL 3020	6	M12	30	8	61,7	20	34	17	6	12	19	1,8	8	15	15
B0525.123816084	B	stainless steel	traffic red RAL 3020	8	M16	40	10,7	81	26	45,3	23	8	16	24	2,3	8	19	20
B0525.120408184	B	stainless steel	traffic red RAL 3020	4	M8x1	20	5,3	44,5	15	23,8	13	4	8	13	1	6	12	2
B0525.121510184	B	stainless steel	traffic red RAL 3020	5	M10x1	25	6,7	52,2	17	28,5	15	5	10	17	1,3	6	12	7
B0525.122612184	B	stainless steel	traffic red RAL 3020	6	M12x1,5	30	8	61,7	20	34	17	6	12	19	1,8	8	15	15
B0525.123816184	B	stainless steel	traffic red RAL 3020	8	M16x1,5	40	10,7	81	26	45,3	23	8	16	24	2,3	8	19	20
B0525.0304080	C	steel	black grey RAL 7021	4	M8	20	5,3	44,5	15	23,8	13	4	8		1	6	12	2
B0525.0315100	C	steel	black grey RAL 7021	5	M10	25	6,7	52,2	17	28,5	15	5	10		1,3	6	12	7
B0525.0326120	C	steel	black grey RAL 7021	6	M12	30	8	61,7	20	34	17	6	12		1,8	8	15	15
B0525.0338160	C	steel	black grey RAL 7021	8	M16	40	10,7	81	26	45,3	23	8	16		2,3	8	19	20
B0525.0304081	C	steel	black grey RAL 7021	4	M8x1	20	5,3	44,5	15	23,8	13	4	8		1	6	12	2
B0525.0315101	C	steel	black grey RAL 7021	5	M10x1	25	6,7	52,2	17	28,5	15	5	10		1,3	6	12	7
B0525.0326121	C	steel	black grey RAL 7021	6	M12x1,5	30	8	61,7	20	34	17	6	12		1,8	8	15	15
B0525.0338161	C	steel	black grey RAL 7021	8	M16x1,5	40	10,7	81	26	45,3	23	8	16		2,3	8	19	20
B0525.030408084	C	steel	traffic red RAL 3020	4	M8	20	5,3	44,5	15	23,8	13	4	8		1	6	12	2
B0525.031510084	C	steel	traffic red RAL 3020	5	M10	25	6,7	52,2	17	28,5	15	5	10		1,3	6	12	7
B0525.032612084	C	steel	traffic red RAL 3020	6	M12	30	8	61,7	20	34	17	6	12		1,8	8	15	15
B0525.033816084	C	steel	traffic red RAL 3020	8	M16	40	10,7	81	26	45,3	23	8	16		2,3	8	19	20
B0525.030408184	C	steel	traffic red RAL 3020	4	M8x1	20	5,3	44,5	15	23,8	13	4	8		1	6	12	2
B0525.031510184	C	steel	traffic red RAL 3020	5	M10x1	25	6,7	52,2	17	28,5	15	5	10		1,3	6	12	7
B0525.032612184	C	steel	traffic red RAL 3020	6	M12x1,5	30	8	61,7	20	34	17	6	12		1,8	8	15	15
B0525.033816184	C	steel	traffic red RAL 3020	8	M16x1,5	40	10,7	81	26	45,3	23	8	16		2,3	8	19	20
B0525.1304080	C	stainless steel	black grey RAL 7021	4	M8	20	5,3	44,5	15	23,8	13	4	8		1	6	12	2
B0525.1315100	C	stainless steel	black grey RAL 7021	5	M10	25	6,7	52,2	17	28,5	15	5	10		1,3	6	12	7
B0525.1326120	C	stainless steel	black grey RAL 7021	6	M12	30	8	61,7	20	34	17	6	12		1,8	8	15	15
B0525.1338160	C	stainless steel	black grey RAL 7021	8	M16	40	10,7	81	26	45,3	23	8	16		2,3	8	19	20
B0525.1304081	C	stainless steel	black grey RAL 7021	4	M8x1	20	5,3	44,5	15	23,8	13	4	8		1	6	12	2
B0525.1315101	C	stainless steel	black grey RAL 7021	5	M10x1	25	6,7	52,2	17	28,5	15	5	10		1,3	6	12	7
B0525.1326121	C	stainless steel	black grey RAL 7021	6	M12x1,5	30	8	61,7	20	34	17	6	12		1,8	8	15	15
B0525.1338161	C	stainless steel	black grey RAL 7021	8	M16x1,5	40	10,7	81	26	45,3	23	8	16		2,3	8	19	20
B0525.130408084	C	stainless steel	traffic red RAL 3020	4	M8	20	5,3	44,5	15	23,8	13	4	8		1	6	12	2
B0525.131510084	C	stainless steel	traffic red RAL 3020	5	M10	25	6,7	52,2	17	28,5	15	5	10		1,3	6	12	7
B0525.132612084	C	stainless steel	traffic red RAL 3020	6	M12	30	8	61,7	20	34	17	6	12		1,8	8	15	15
B0525.133816084	C	stainless steel	traffic red RAL 3020	8	M16	40	10,7	81	26	45,3	23	8	16		2,3	8	19	20
B0525.130408184	C	stainless steel	traffic red RAL 3020	4	M8x1	20	5,3	44,5	15	23,8	13	4	8		1	6	12	2
B0525.131510184	C	stainless steel	traffic red RAL 3020	5	M10x1	25	6,7	52,2	17	28,5	15	5	10		1,3	6	12	7
B0525.132612184	C	stainless steel	traffic red RAL 3020	6	M12x1,5	30	8	61,7	20	34	17	6	12		1,8	8	15	15
B0525.133816184	C	stainless steel	traffic red RAL 3020	8	M16x1,5	40	10,7	81	26	45,3	23	8	16		2,3	8	19	20
B0525.0404080	D	steel	black grey RAL 7021	4	M8	20	5,3	44,5	15	23,8	13	4	8	13	1	6	12	2
B0525.0415100	D	steel	black grey RAL 7021	5	M10	25	6,7	52,2	17	28,5	15	5	10	17	1,3	6	12	7
B0525.0426120	D	steel	black grey RAL 7021	6	M12	30	8	61,7	20	34	17	6	12	19	1,8	8	15	15
B0525.0438160	D	steel	black grey RAL 7021	8	M16	40	10,7	81	26	45,3	23	8	16	24	2,3	8	19	20

## Indexing plungers steel or stainless steel with plastic eyelet grip

### Overview of items

Order No.	Form	Main material	Component colour	D	D1	A	B	L	L1	L2	L3	Travel S	SW1	SW2	Fx30°	Spring force initial pressure F1 approx. N	Spring force final pressure F2 approx. N	Tightening torque max. Nm
B0525.0404081	D	steel	black grey RAL 7021	4	M8x1	20	5,3	44,5	15	23,8	13	4	8	13	1	6	12	2
B0525.0415101	D	steel	black grey RAL 7021	5	M10x1	25	6,7	52,2	17	28,5	15	5	10	17	1,3	6	12	7
B0525.0426121	D	steel	black grey RAL 7021	6	M12x1,5	30	8	61,7	20	34	17	6	12	19	1,8	8	15	15
B0525.0438161	D	steel	black grey RAL 7021	8	M16x1,5	40	10,7	81	26	45,3	23	8	16	24	2,3	8	19	20
B0525.040408084	D	steel	traffic red RAL 3020	4	M8	20	5,3	44,5	15	23,8	13	4	8	13	1	6	12	2
B0525.041510084	D	steel	traffic red RAL 3020	5	M10	25	6,7	52,2	17	28,5	15	5	10	17	1,3	6	12	7
B0525.042612084	D	steel	traffic red RAL 3020	6	M12	30	8	61,7	20	34	17	6	12	19	1,8	8	15	15
B0525.043816084	D	steel	traffic red RAL 3020	8	M16	40	10,7	81	26	45,3	23	8	16	24	2,3	8	19	20
B0525.040408184	D	steel	traffic red RAL 3020	4	M8x1	20	5,3	44,5	15	23,8	13	4	8	13	1	6	12	2
B0525.041510184	D	steel	traffic red RAL 3020	5	M10x1	25	6,7	52,2	17	28,5	15	5	10	17	1,3	6	12	7
B0525.042612184	D	steel	traffic red RAL 3020	6	M12x1,5	30	8	61,7	20	34	17	6	12	19	1,8	8	15	15
B0525.043816184	D	steel	traffic red RAL 3020	8	M16x1,5	40	10,7	81	26	45,3	23	8	16	24	2,3	8	19	20
B0525.1404080	D	stainless steel	black grey RAL 7021	4	M8	20	5,3	44,5	15	23,8	13	4	8	13	1	6	12	2
B0525.1415100	D	stainless steel	black grey RAL 7021	5	M10	25	6,7	52,2	17	28,5	15	5	10	17	1,3	6	12	7
B0525.1426120	D	stainless steel	black grey RAL 7021	6	M12	30	8	61,7	20	34	17	6	12	19	1,8	8	15	15
B0525.1438160	D	stainless steel	black grey RAL 7021	8	M16	40	10,7	81	26	45,3	23	8	16	24	2,3	8	19	20
B0525.1404081	D	stainless steel	black grey RAL 7021	4	M8x1	20	5,3	44,5	15	23,8	13	4	8	13	1	6	12	2
B0525.1415101	D	stainless steel	black grey RAL 7021	5	M10x1	25	6,7	52,2	17	28,5	15	5	10	17	1,3	6	12	7
B0525.1426121	D	stainless steel	black grey RAL 7021	6	M12x1,5	30	8	61,7	20	34	17	6	12	19	1,8	8	15	15
B0525.1438161	D	stainless steel	black grey RAL 7021	8	M16x1,5	40	10,7	81	26	45,3	23	8	16	24	2,3	8	19	20
B0525.140408084	D	stainless steel	traffic red RAL 3020	4	M8	20	5,3	44,5	15	23,8	13	4	8	13	1	6	12	2
B0525.141510084	D	stainless steel	traffic red RAL 3020	5	M10	25	6,7	52,2	17	28,5	15	5	10	17	1,3	6	12	7
B0525.142612084	D	stainless steel	traffic red RAL 3020	6	M12	30	8	61,7	20	34	17	6	12	19	1,8	8	15	15
B0525.143816084	D	stainless steel	traffic red RAL 3020	8	M16	40	10,7	81	26	45,3	23	8	16	24	2,3	8	19	20
B0525.140408184	D	stainless steel	traffic red RAL 3020	4	M8x1	20	5,3	44,5	15	23,8	13	4	8	13	1	6	12	2
B0525.141510184	D	stainless steel	traffic red RAL 3020	5	M10x1	25	6,7	52,2	17	28,5	15	5	10	17	1,3	6	12	7
B0525.142612184	D	stainless steel	traffic red RAL 3020	6	M12x1,5	30	8	61,7	20	34	17	6	12	19	1,8	8	15	15
B0525.143816184	D	stainless steel	traffic red RAL 3020	8	M16x1,5	40	10,7	81	26	45,3	23	8	16	24	2,3	8	19	20