

Pull handles stainless steel round

Item description/product images



Description

Material:

Stainless steel 1.4404.

Version:

Polished or blasted.

Note for ordering:

Order the fastening material and end washers separately.

Accessory:

End washers B0520.

Washer B0112.

Washer B0113.

Hex head bolt B0098.

Cap screw B0124 / B0125.

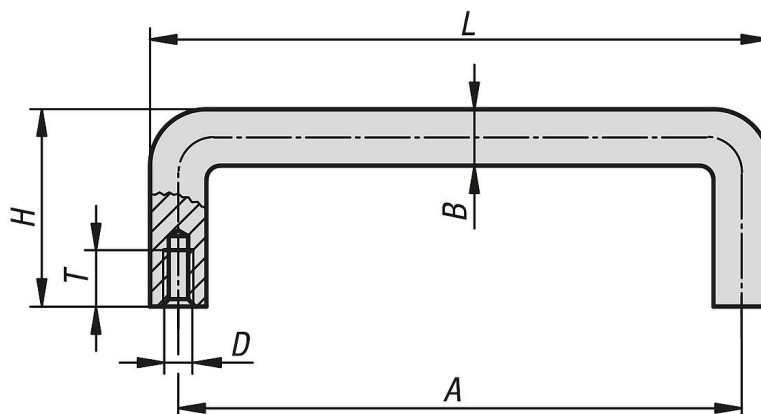
Screw B0528.

Pull handles stainless steel round

Item description/product images



Drawings



Overview of items

Stainless steel pull handles, round

Order No.	Surface finish body	A	B	D	H	T	L	Load capacity N
B0519.032031	smooth polished	32	5	M3	24	6	37	500
B0519.042031	smooth polished	42	5	M3	24	6	47	500
B0519.055031	smooth polished	55	5	M3	24	6	60	500
B0519.064031	smooth polished	64	5	M3	24	6	69	500
B0519.076031	smooth polished	76	5	M3	24	6	81	500
B0519.088031	smooth polished	88	5	M3	24	6	93	500
B0519.032041	smooth polished	32	8	M4	32	8	40	500
B0519.042041	smooth polished	42	8	M4	32	8	50	500
B0519.055041	smooth polished	55	8	M4	32	8	63	500
B0519.064041	smooth polished	64	8	M4	32	8	72	500
B0519.076041	smooth polished	76	8	M4	32	8	84	500
B0519.088041	smooth polished	88	8	M4	32	8	96	500
B0519.096041	smooth polished	96	8	M4	32	8	104	500
B0519.098041	smooth polished	98	8	M4	32	8	106	500
B0519.100041	smooth polished	100	8	M4	32	8	108	500
B0519.102041	smooth polished	102	8	M4	32	8	110	500
B0519.120041	smooth polished	120	8	M4	32	8	128	500

Pull handles stainless steel round

Overview of items

Order No.	Surface finish body	A	B	D	H	T	L	Load capacity N
B0519.136041	smooth polished	136	8	M4	32	8	144	500
B0519.055051	smooth polished	55	10	M5	40	10	65	1000
B0519.064051	smooth polished	64	10	M5	40	10	74	1000
B0519.076051	smooth polished	76	10	M5	40	10	86	1000
B0519.088051	smooth polished	88	10	M5	40	10	98	1000
B0519.096051	smooth polished	96	10	M5	40	10	106	1000
B0519.098051	smooth polished	98	10	M5	40	10	108	1000
B0519.100051	smooth polished	100	10	M5	40	10	110	1000
B0519.102051	smooth polished	102	10	M5	40	10	112	1000
B0519.120051	smooth polished	120	10	M5	40	10	130	1000
B0519.136051	smooth polished	136	10	M5	40	10	146	1000
B0519.140051	smooth polished	140	10	M5	40	10	150	1000
B0519.160051	smooth polished	160	10	M5	40	10	170	1000
B0519.180051	smooth polished	180	10	M5	40	10	190	1000
B0519.200051	smooth polished	200	10	M5	40	10	210	1000
B0519.235051	smooth polished	235	10	M5	40	10	245	1000
B0519.250051	smooth polished	250	10	M5	40	10	260	1000
B0519.300051	smooth polished	300	10	M5	40	10	310	1000
B0519.350051	smooth polished	350	10	M5	40	10	360	1000
B0519.120061	smooth polished	120	12	M6	42	12	132	1000
B0519.136061	smooth polished	136	12	M6	42	12	148	1000
B0519.140061	smooth polished	140	12	M6	42	12	152	1000
B0519.160061	smooth polished	160	12	M6	42	12	172	1000
B0519.180061	smooth polished	180	12	M6	42	12	192	1000
B0519.200061	smooth polished	200	12	M6	42	12	212	1000
B0519.235061	smooth polished	235	12	M6	42	12	247	1000
B0519.250061	smooth polished	250	12	M6	42	12	262	1000
B0519.300061	smooth polished	300	12	M6	42	12	312	1000
B0519.350061	smooth polished	350	12	M6	42	12	362	1000
B0519.140081	smooth polished	140	16	M8	58	12	156	1000
B0519.160081	smooth polished	160	16	M8	58	12	176	1000
B0519.180081	smooth polished	180	16	M8	58	12	196	1000
B0519.200081	smooth polished	200	16	M8	58	12	216	1000
B0519.235081	smooth polished	235	16	M8	58	12	251	1000
B0519.250081	smooth polished	250	16	M8	58	12	266	1000
B0519.300081	smooth polished	300	16	M8	58	12	316	1000
B0519.350081	smooth polished	350	16	M8	58	12	366	1000
B0519.032033	matt blasted	32	5	M3	24	6	37	500
B0519.042033	matt blasted	42	5	M3	24	6	47	500
B0519.055033	matt blasted	55	5	M3	24	6	60	500
B0519.064033	matt blasted	64	5	M3	24	6	69	500
B0519.076033	matt blasted	76	5	M3	24	6	81	500
B0519.088033	matt blasted	88	5	M3	24	6	93	500
B0519.032043	matt blasted	32	8	M4	32	8	40	500
B0519.042043	matt blasted	42	8	M4	32	8	50	500
B0519.055043	matt blasted	55	8	M4	32	8	63	500
B0519.064043	matt blasted	64	8	M4	32	8	72	500
B0519.076043	matt blasted	76	8	M4	32	8	84	500
B0519.088043	matt blasted	88	8	M4	32	8	96	500
B0519.096043	matt blasted	96	8	M4	32	8	104	500
B0519.098043	matt blasted	98	8	M4	32	8	106	500
B0519.100043	matt blasted	100	8	M4	32	8	108	500
B0519.102043	matt blasted	102	8	M4	32	8	110	500
B0519.120043	matt blasted	120	8	M4	32	8	128	500
B0519.136043	matt blasted	136	8	M4	32	8	144	500
B0519.055053	matt blasted	55	10	M5	40	10	65	1000
B0519.064053	matt blasted	64	10	M5	40	10	74	1000
B0519.076053	matt blasted	76	10	M5	40	10	86	1000
B0519.088053	matt blasted	88	10	M5	40	10	98	1000
B0519.096053	matt blasted	96	10	M5	40	10	106	1000
B0519.098053	matt blasted	98	10	M5	40	10	108	1000

Pull handles stainless steel round

Overview of items

Order No.	Surface finish body	A	B	D	H	T	L	Load capacity N
B0519.100053	matt blasted	100	10	M5	40	10	110	1000
B0519.102053	matt blasted	102	10	M5	40	10	112	1000
B0519.120053	matt blasted	120	10	M5	40	10	130	1000
B0519.136053	matt blasted	136	10	M5	40	10	146	1000
B0519.140053	matt blasted	140	10	M5	40	10	150	1000
B0519.160053	matt blasted	160	10	M5	40	10	170	1000
B0519.180053	matt blasted	180	10	M5	40	10	190	1000
B0519.200053	matt blasted	200	10	M5	40	10	210	1000
B0519.235053	matt blasted	235	10	M5	40	10	245	1000
B0519.250053	matt blasted	250	10	M5	40	10	260	1000
B0519.300053	matt blasted	300	10	M5	40	10	310	1000
B0519.350053	matt blasted	350	10	M5	40	10	360	1000
B0519.120063	matt blasted	120	12	M6	42	12	132	1000
B0519.136063	matt blasted	136	12	M6	42	12	148	1000
B0519.140063	matt blasted	140	12	M6	42	12	152	1000
B0519.160063	matt blasted	160	12	M6	42	12	172	1000
B0519.180063	matt blasted	180	12	M6	42	12	192	1000
B0519.200063	matt blasted	200	12	M6	42	12	212	1000
B0519.235063	matt blasted	235	12	M6	42	12	247	1000
B0519.250063	matt blasted	250	12	M6	42	12	262	1000
B0519.300063	matt blasted	300	12	M6	42	12	312	1000
B0519.350063	matt blasted	350	12	M6	42	12	362	1000
B0519.140083	matt blasted	140	16	M8	58	12	156	1000
B0519.160083	matt blasted	160	16	M8	58	12	176	1000
B0519.180083	matt blasted	180	16	M8	58	12	196	1000
B0519.200083	matt blasted	200	16	M8	58	12	216	1000
B0519.235083	matt blasted	235	16	M8	58	12	251	1000
B0519.250083	matt blasted	250	16	M8	58	12	266	1000
B0519.300083	matt blasted	300	16	M8	58	12	316	1000
B0519.350083	matt blasted	350	16	M8	58	12	366	1000