

Basic bush DIN 173 Form H

Item description/product images



Description

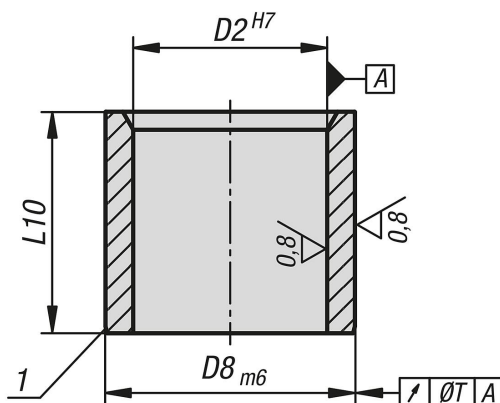
Material:
Steel.

Version:
Hardened to 740 ± 80 HV 10 and ground.

Note:
OD and ID clean and precision ground.

Drawing reference:
1) Chamfer or centring collar

Drawings



Overview of items

Basic bush DIN 173 Form H

Order No.	Product type	D2	D8	L10	T
B0007.H0800X08	short	8	12	8	0,01
B0007.H0800X12	long	8	12	12,5	0,01
B0007.H1000X10	short	10	15	10	0,01
B0007.H1000X16	long	10	15	16	0,01
B0007.H1500X12	short	15	20	12,5	0,01
B0007.H1500X20	long	15	20	20	0,01
B0007.H2200X16	short	22	28	16	0,02
B0007.H2200X25	long	22	28	25	0,02
B0007.H2800X20	short	28	36	20	0,02
B0007.H2800X32	long	28	36	32	0,02
B0007.H3500X20	short	35	46	20	0,03
B0007.H3500X32	long	35	46	32	0,03
B0007.H4600X25	short	46	56	25	0,03
B0007.H4600X40	long	46	56	40	0,03
B0007.H5800X25	short	58	70	25	0,03
B0007.H5800X40	long	58	70	40	0,03

Basic bush DIN 173 Form H

Overview of items
